

- POINT LOAD SUPPORTED - GLASS CURTAIN WALLS 130-180

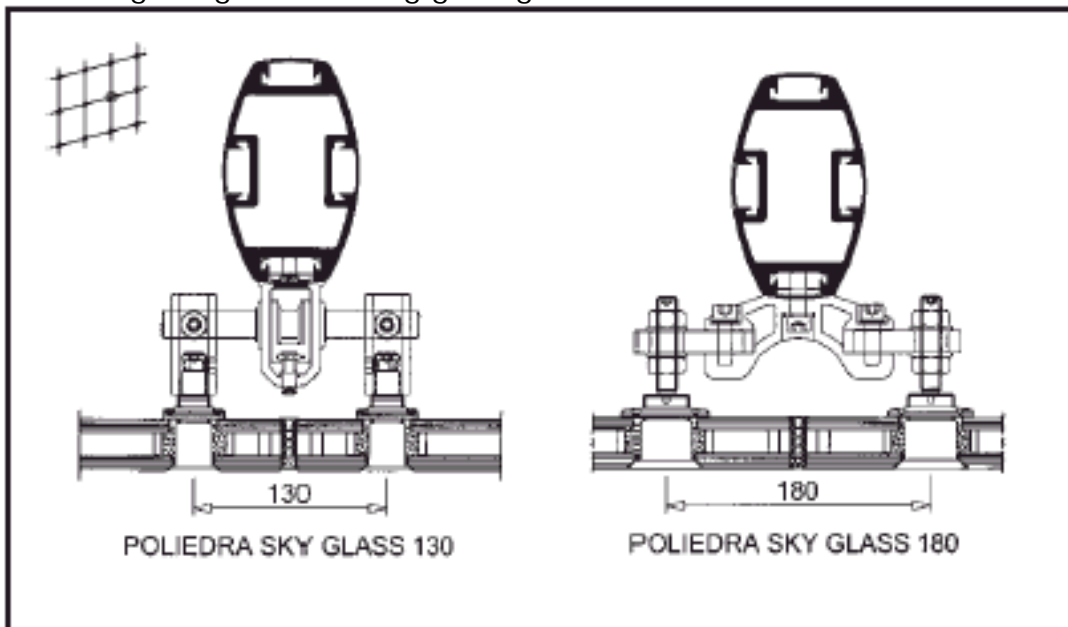
The system Poliedra-Sky Glass, result of the cooperation between Metra and Web Glass, is the architectural and functional evolution of the curtain walls. The glazing is the main component and separation element between the interior, with a constant thermal condition, and the external environment with a continuous weather variability.

The system Poliedra-Sky Glass interacts with the main functions, both physical-technical (thermal and acoustic insulation, solar radiation control, safety, etc.) and ecological (energy saving, environmental impact, etc.) giving at the same time a pleasant sensation of transparency or semi-transparency, in relation to a specified purpose and a precise architectural integration.



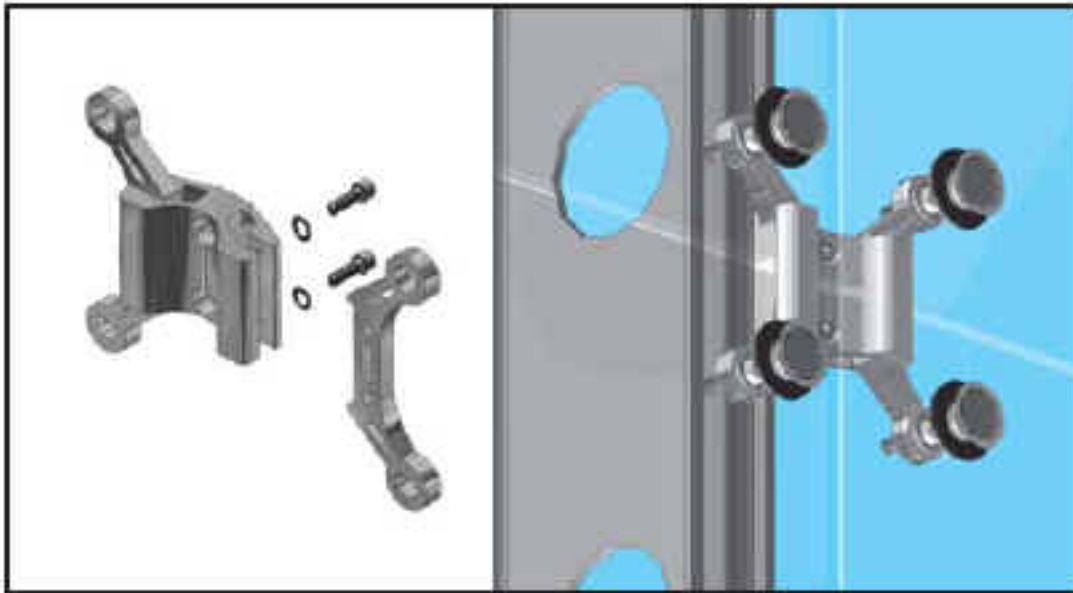
- APPLICATION -

The system Poliedra-Sky Glass is a curtain wall with point load fixing of the glazing sheets to the structure lying behind, made of extruded aluminium bearing mullions. The system enables the fabrication of whole glass surfaces for the pleasure of a direct contact with the external environment. Its application is suitable both for vertical and horizontal surfaces for the realisation of transparent coverings, even with polygonal shapes. Also, the system enables the fabrication of particular works such as parapets, exhibition stands, structures with utilisation of monolithic stratified glazing or insulating glazing.



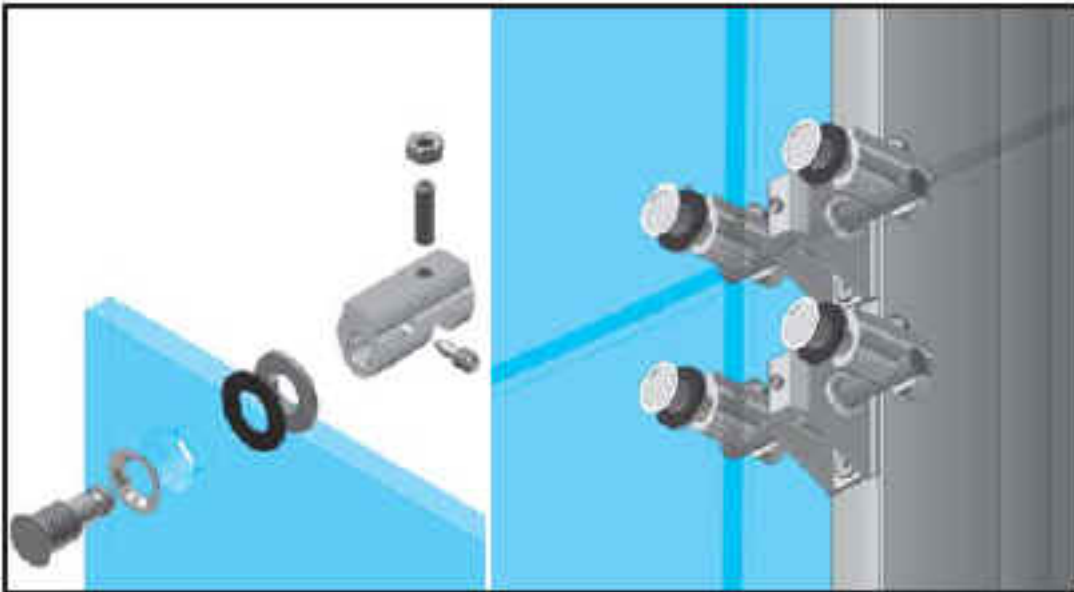
- TECHNICAL DESCRIPRION OF THE SYSTEM - POLIEDRA-SKY GLASS 130

- **Aluminium profiles:** extruded aluminium alloy EN AW 6060 as per UNI EN 573
- **Anchoring accessories for glass:**
- **Bracket:** alloy EN AW 6082 as per UNI EN 573
- **Articulated connection:** alloy EN AW 6082 as per UNI EN 573
- **Connection inserted in the glass:** stainless steel AISI 316L
- **Temper designation:** T5 as per UNI EN 515
- **Dimensional and thickness tolerances:** as per UNI EN 755
- **Air-water tightness:** with silicone compound external gasket and sealing
- **Type of profile:** without thermal break
- **Glazing application:** fitting by means of fixed connections made of stainless steel AISI 316L (point load fixing). Connections in four points placed next to the junction of the corners of the glazing modules, with 130 mm horizontal and vertical interaxis; Fixing externally visible with 36 mm external points, coplanar with the external glazing sheet.
- **Glazing thickness:** variable from 8 to 39 mm
- **Basic dimension of the system:** mullion: width 85 mm, deepness till 260 mm



- TECHNICAL DESCRIPRION OF THE SYSTEM - POLIEDRA-SKY GLASS 180

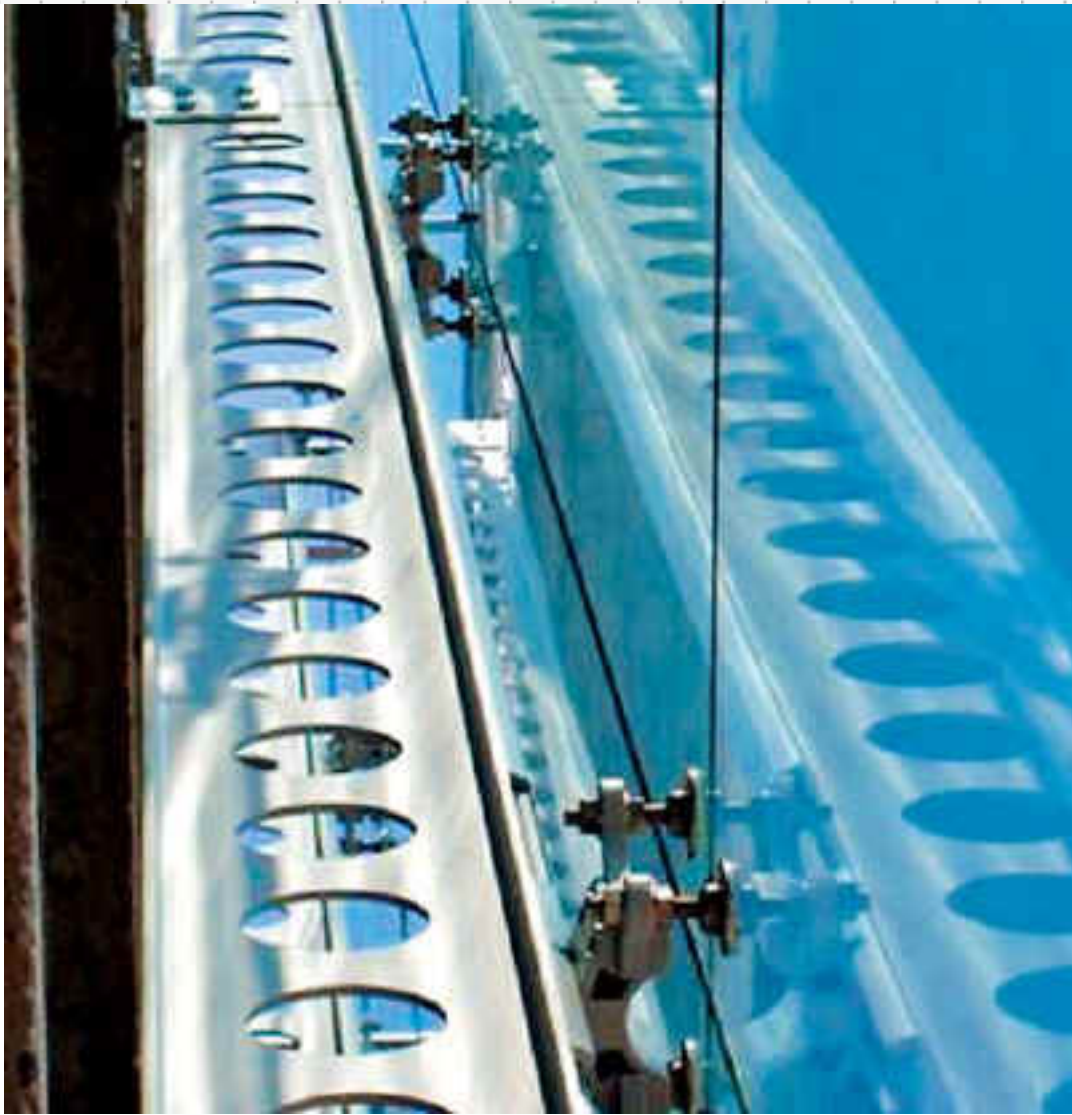
- Aluminium profiles:** extruded aluminium, alloy EN AW 6060 as per UNI EN 573
- Anchoring accessories for glass:**
- Bearing:** alloy EN AW 6082 as per UNI EN 573
- Arm:** alloy EN AW 6082 as per UNI EN 573
- Connection inserted in the glass:** stainless steel AISI 316L
- Temper designation:** T5 as per UNI EN 515
- Dimensional and thickness tolerances:** as per UNI EN 755
- Air-water tightness:** with silicone compound external gasket and sealing
- Type of profile:** without thermal break
- Glazing application:** fitting by means of self-lubricating articulated connections made of stainless steel AISI 316L (point load fixing) with possibility of rotation till 8° in each direction. Connections in four points placed next to the junction of the corners of the glazing modules, with 180 mm horizontal and vertical interaxis; Fixing externally visible with 50 mm external points, coplanar with the external glazing.
- Glazing thickness:** variable from 10 to 52 mm
- Basic dimension of the system:** Mullion: width 85 mm, deepness till 260 mm



- MAIN FEATURES -

The bearing elements are formed by mullions with IPE or tubular ellipsoidal geometrical shape, with deepness variable in function of the static requirements. The glazing modules are fixed to the aluminium structure by specific anchoring accessories, made of aluminium as well. These anchoring accessories are fixed in four points placed next to the junction of the corners of the glazing modules, by means of the stainless steel connections, with 130 mm (Poliedra Sky Glass 130) or 180 mm (Poliedra Sky Glass 180) horizontal and vertical interaxis. In case of specific static requirements, additional anchoring accessories are provided, fitted half-way at the long sides of the glazing sheets and aligned with those fitted at the corners.







[SURFACE FINISHING](#)

[Clic here to see the CERTIFICATIONS the POLIEDRA-SKY GLASS 130 series.](#)

[Clic here to see the CERTIFICATIONS the POLIEDRA-SKY GLASS 180 series.](#)