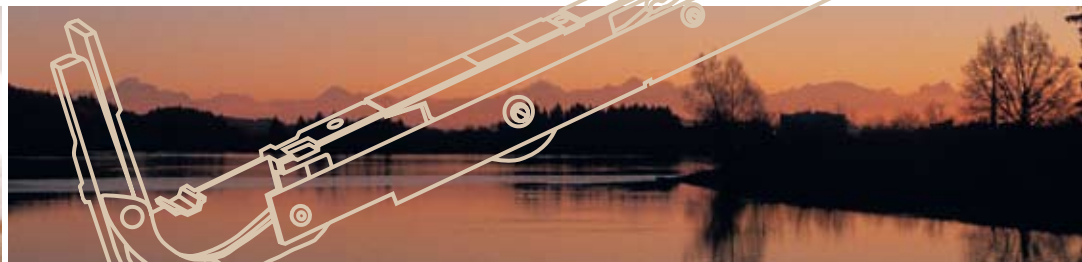


TECHNOLOGY IN MOTION



MACO RAIL-SYSTEMS

SLIDING FITTINGS



Can an Experience Just be Pushed Aside?

LIFT & SLIDE FITTINGS

MACO
RAIL-SYSTEMS



Those who like bright spaces will appreciate and value the many advantages that Lift & Slide patio systems offer – living spaces open up towards the garden, terraces become living spaces.



The MACO Lift & Slide Fittings System.



True Greatness Comes from Inside



Fundamental advantages

- Easy operation
- Quiet
- Threshold equipped with thermal break
- Wheelchair-suitable solutions
- Surface-mounted track with integrated thermal insulation
- Individual track systems
- Installation friendly
- Pre-assembled rollers
- Easy to maintain

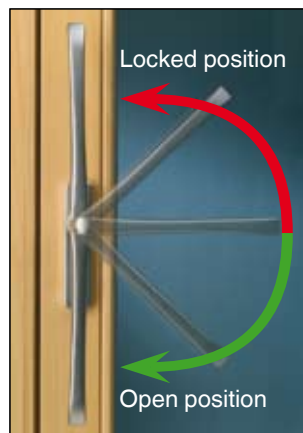


Secure and Convenient by Means of Internal Quality

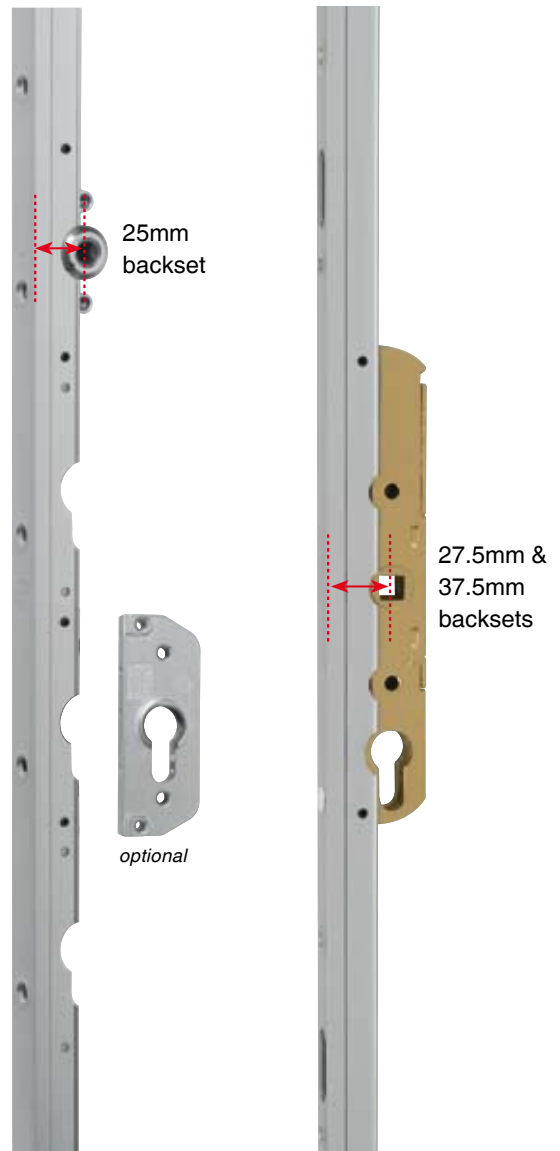


Rollers made of high-quality materials guarantee an effortless lifting of the sash, as well as the quiet and precise movement of the sliding door.

Easy and safe operation



- Sash rebate height from 730 to 2860mm with 27.5 or 37.5mm backset
- Sash rebate height from 1175 to 2860mm with a 25mm backset
- Drive gear available in silver, brown and bronze



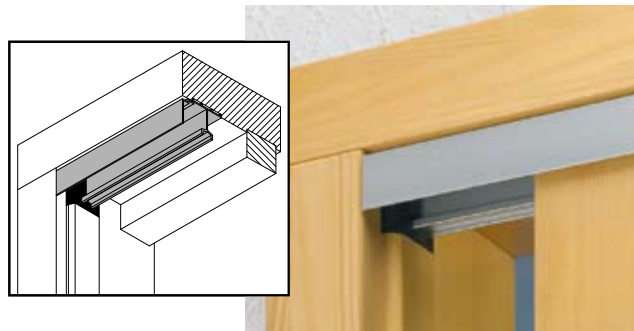


Top Guide Tracks



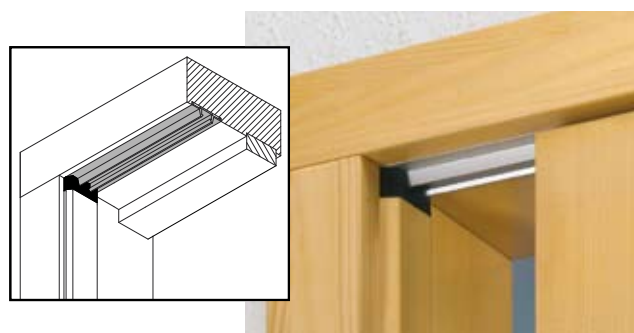
Complete Solutions

The complete series of top guide tracks are characterised by high functionality and extremely high quality.



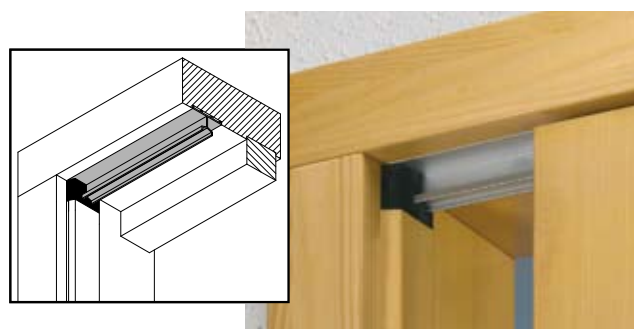
“Covered” system

- For 56 or 68mm sash thickness
- 27mm distance between sash and frame



“C” system

- For 56 or 68mm sash thickness
- Only 12mm distance between sash and frame
- The guide track “C” can be used on the top and bottom



“Universal low” system

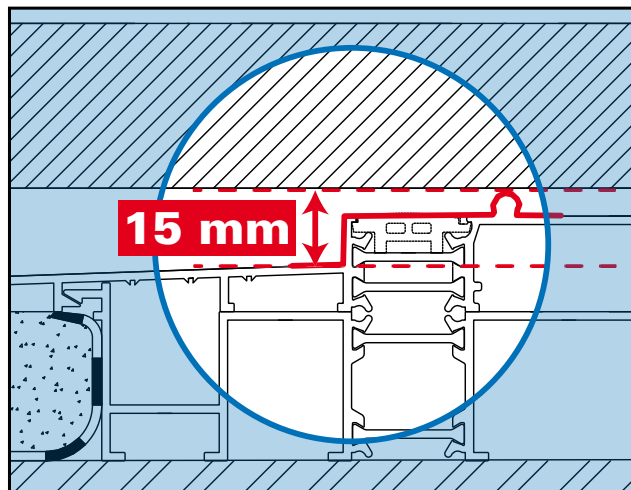
- For 56 or 68mm sash thickness
- Only 12 mm distance between sash and frame



Comfortable and Versatile



For all, who want more Comfort



The highest levels of comfort and functionality are guaranteed through the correct material combination.

Versatile and Innovative Solutions



Our versatile bottom track system is coordinated for the most diverse requirements.



Bottom Roller Tracks

① “Threshold” system

- Suitable for wheelchairs – only 15mm high
- Clip-on underlay profile for the frame-cover
- With thermal break

② “Frame cover” system

- Suitable for wheelchairs – only 15mm high
- Specifically for 4-sided timber-frame construction
- With thermal break

For “Threshold” and “Frame cover” systems:

For doors that are unprotected and exposed to the elements:

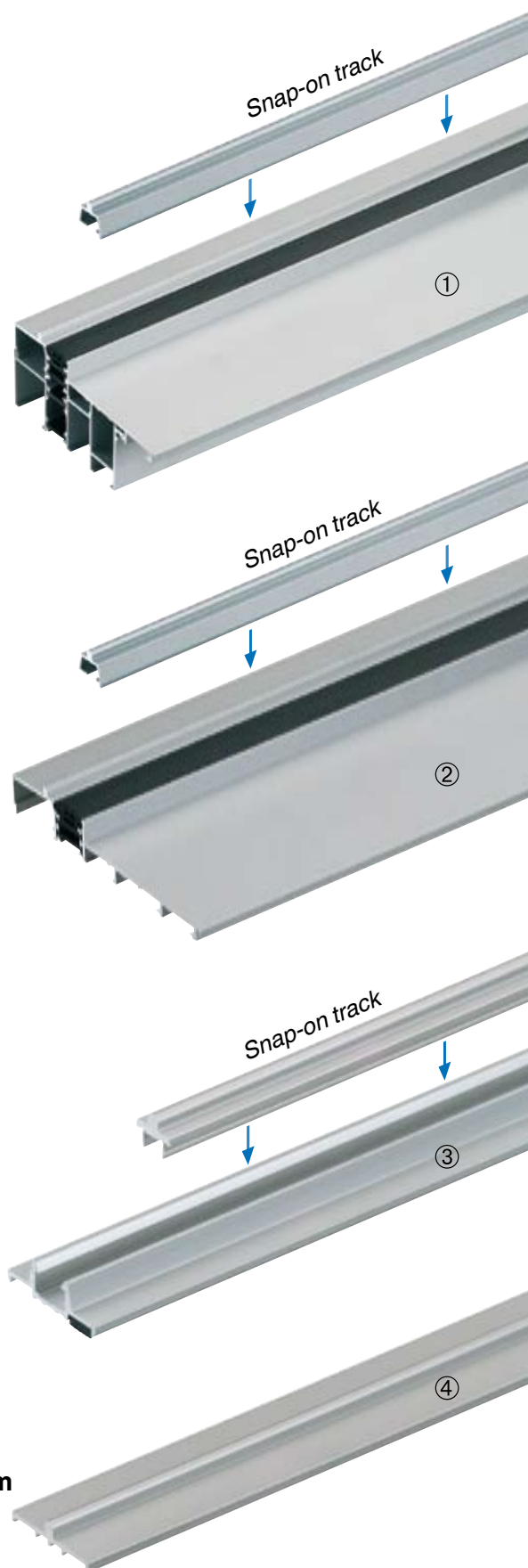
- Better impermeability due to an additional snap-on track that clips onto the roller track

③ “Bottom C roller-track” system

- Roller track C can be used on the top and bottom - simply mount the snap-on track
- Snap-on tracks interchangeable at any time
- Concealed screws

④ “Bottom flat roller track” system

- Can be installed on finished floors
- Suitable for wheelchairs





Handles of Outstanding Quality

Handle
for internal and
external operation with
profile cylinder hole



Handle
for internal operation
without profile
cylinder hole –
External recessed
finger grip

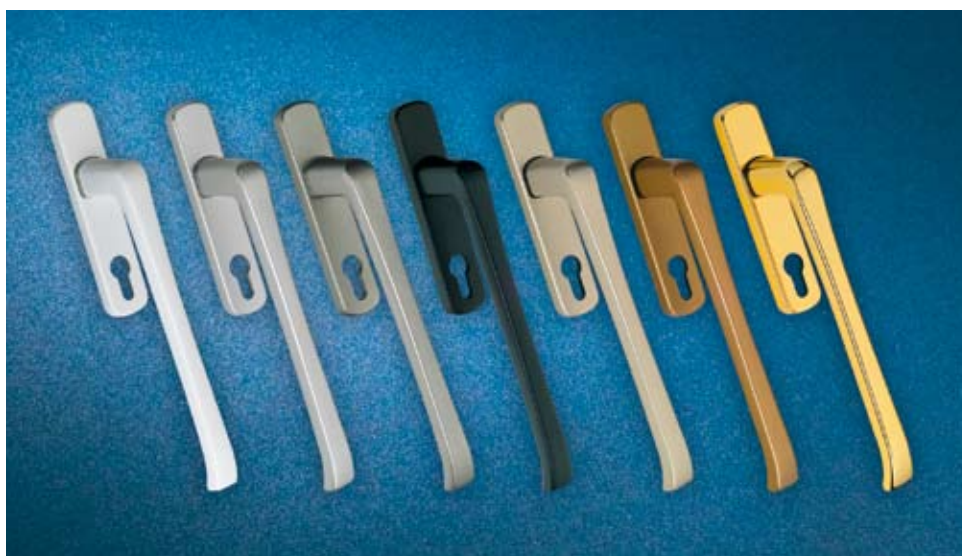


Handle
for internal operation
with profile
cylinder hole –
External recessed
finger grip



The handles for MACO
Lift & Slide systems are
available in the following
colours:

- White
- Anodised alu
- Titanium
- Brown
- Champagne
- Bronze
- Gold-look



Slight colour variations are possible due to production-technical reasons.

MAYER & CO BESCHLÄGE GMBH
ALPENSTRASSE 173
A-5020 SALZBURG
TEL +43 (0)662 6196-0
FAX +43 (0)662 6196-101
maco@maco.at
www.maco.at

**MACO DOOR & WINDOW
HARDWARE (U.K.) LTD**
EUROLINK INDUSTRIAL CENTRE
CASTLE ROAD, SITTINGBOURNE
KENT ME10 3LY
TEL +44 (0)1795 433900
FAX +44 (0)1795 433901
maco@macouk.net
www.macouk.net

MAICO SRL
ITALY
maico@maico.com

MACO BESCHLÄGE GMBH
GERMANY
d-maco@maco.de

MACO BESCHLÄGE B.V.
NETHERLANDS
info@maco-nl.nl

**MACO HARDWARE
(TIANJIN) CO., LTD**
CHINA
maco-china@maco.at

MACO PLOLSKA
POLAND
maco@maco.pl

THE MACO COMPANY GROUP