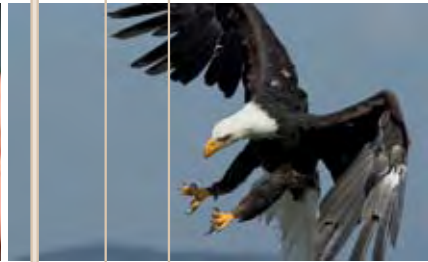


TECHNOLOGY IN MOTION



# MACO MULTI

TILT AND TURN FITTINGS



INVISIBLE - Hidden Strength

FULLY CONCEALED  
FITTINGS

MACO  
MULTI



The demand for partially or fully concealed fittings has increased in recent years. The reasons may be versatile and differ completely from customer to customer. Nonetheless the number one reason remains; aesthetics. INVISIBLE is not only the logical answer to meet these demands, but simply the ideal solution for beautiful windows: The fully concealed second generation fittings in the MACO MULTI segment.



INVISIBLE - Simply better views

MACO  
MULTI



## INVISIBLE - for flush and rebated window systems



### INVISIBLE - An overview of the advantages:

- Can be used with the existing MACO MULTI-TREND and MACO MULTI-MATIC central locking system.
- Increased burglar resistant security in the hinge area.
- Prevents thermal bridges.
- Perfect impermeability.
- No cover caps necessary.
- Lateral adjustment of stay hinges and pivot posts without loosening screws.
- Three-dimensional adjustments of the pivot post.
- Integrated adjustment of the opening angle (90° or 95°).
- Designed for 9mm and 13mm fittings axis.



## Modified kinematics



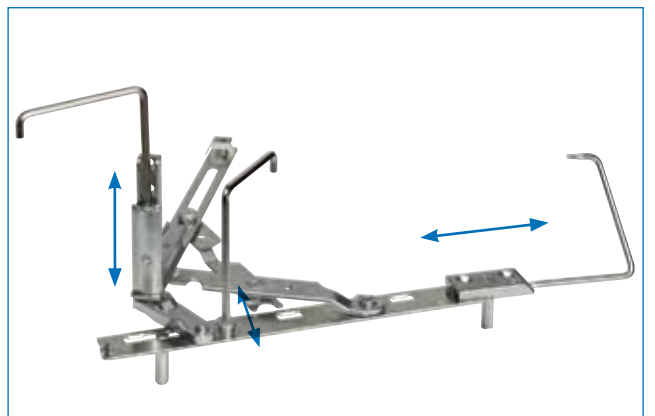
With INVISIBLE fittings, the sash turns only fractionally to the outside. And with this, the required frame space is reduced to a minimum.

Plenty of space is left to fix operation mechanisms for blinds and roller shutters as well as for pleated blinds and curtains.



## Optimised opening range

- Opening angles of 90 and 95 degrees: The straightforward opening range conversion is already integrated in the pivot rest.
- By moving the sash away from the reveal, a sash opening of 95 degrees is made possible. With this, an aesthetically more beautiful field of vision through the window is enabled.



*Three-dimensionally adjustable while the sash is still hinged.*



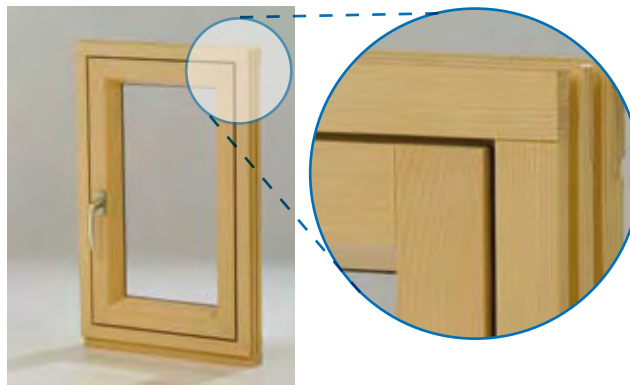
MACO  
MULTI



## More aesthetics for thermal insulation



## Prevents thermal bridges



*Ideal for flush timber windows.*

The fittings are located fully concealed in the rebate area, ensuring that it does not come into contact with the warmer ambient air and with this effectively prevents thermal bridges.

## Security fittings and INVISIBLE - solution - Easy to combine



Due to their compact design, security fittings can be installed right up into the corner areas.



**MACO  
MULTI**



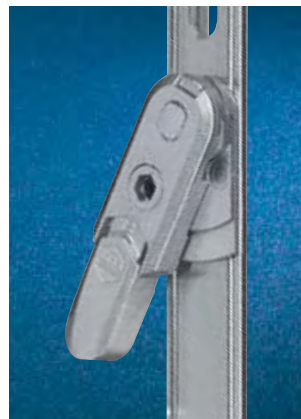
## INVISIBLE - Compatible, universal and cost-efficient



### Free choice of fittings



*Sash lifter  
MACO MULTI-TREND*



*Sash lifter  
MACO MULTI-MATIC*

Windows with completely concealed fitting components are compatible with both the MACO MULTI-TREND and MACO MULTI-MATIC fittings.

### INVISIBLE fittings can be fabricated using all types of installation techniques

The new fully concealed fittings can be installed traditionally by hand, semi-automatically and fully-automatically.



*Manual installation*



*Semi-automated*



*Fully-automated*

**MACO  
MULTI**



### **Straightforward fabrication**

No routing is required on the sash or on the frame.

As a rule, no modifications need to be carried out on the profile.

Cover caps are not required.



### **Double benefits**

With the fully concealed second generation fittings, a trend-setting system for timber and PVC windows is available, that despite increased advantages by a gain in aesthetics and function, results in no increased labour whatsoever in production and installation.



**MACO  
MULTI**



**MAYER & CO BESCHLÄGE GMBH**  
ALPENSTRASSE 173  
A-5020 SALZBURG  
TEL +43 (0)662 6196-0  
FAX +43 (0)662 6196-1449  
maco@maco.at  
www.maco.at

**MACO DOOR & WINDOW  
HARDWARE (U.K.) LTD**  
EUROLINK INDUSTRIAL CENTRE  
CASTLE ROAD, SITTINGBOURNE  
KENT ME10 3LY  
TEL +44 (0)1795 433900  
FAX +44 (0)1795 433901  
maco@macouk.net  
www.macouk.net

Order no. 750442 - Date: January 2008  
All rights reserved and subject to change.