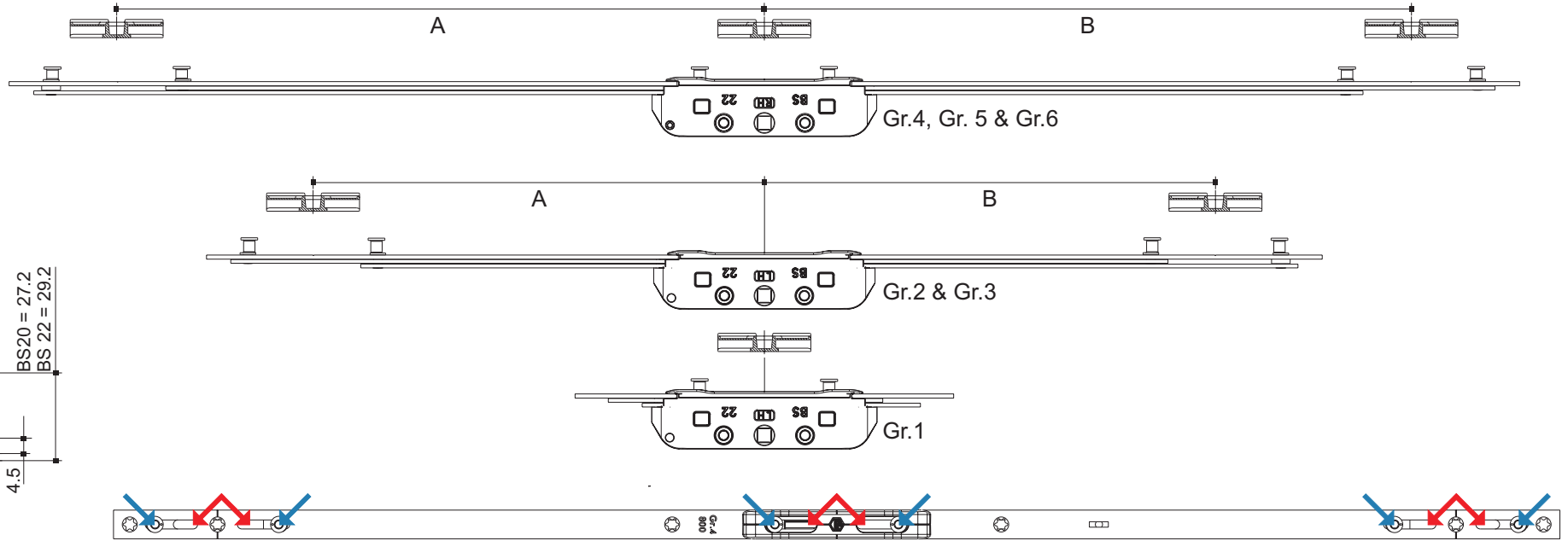
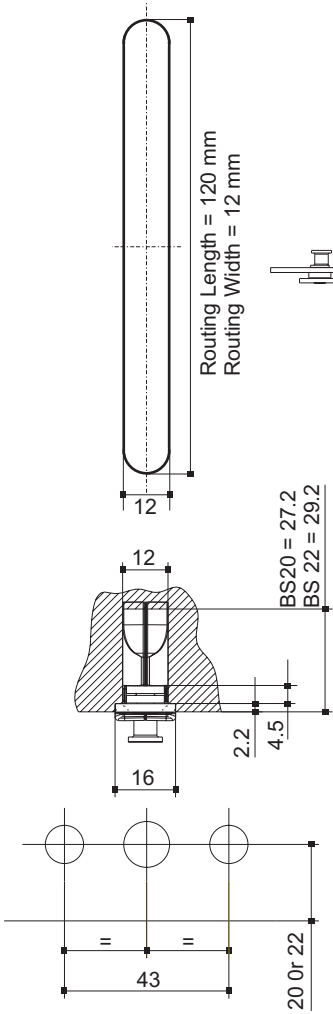




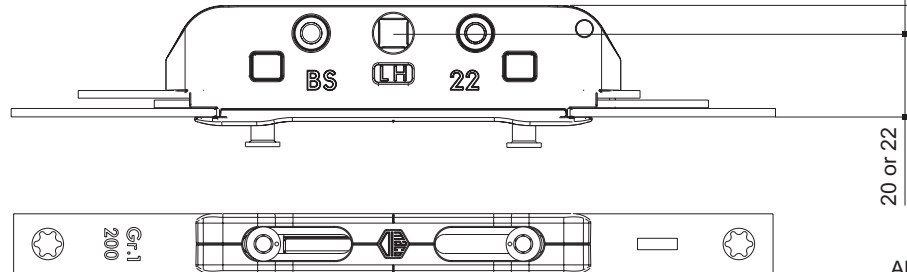
R.A.I.L. Assembly Instructions



↓ Grease with acid free lubricant (e.g.) Petroleum Jelly).

↓ Place a few drops of a light machine oil in all guide slots.

Lockcase Depth
Backset + 7.2 mm



Size	Sash Rebate Size		Qty Striker Plates	Striker A	Striker B
	Min	Max			
Gr.1	200	400	1	-	-
Gr.2	400	600	2	142	142
Gr.3	600	800	2	242	242
Gr.4	800	1000	3	342	342
Gr.5	1000	1200	3	442	442
Gr.6	1200	1400	3	542	542

All dimensions are in mm.