

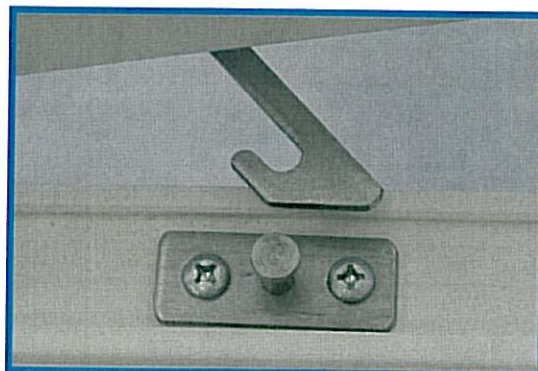
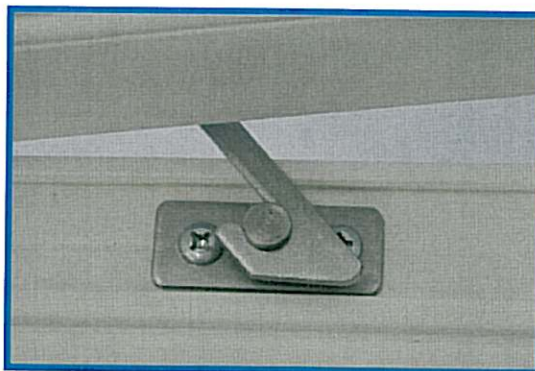
Autolatch Restrictor Operating Instructions



Your windows have been fitted with a Maco Autolatch restricting device. It is important that you read these instructions and familiarize yourself with the operation of the Autolatch.

When you open your window the Autolatch restrictor is automatically engaged and restricts how far the window will open. To release the restrictor please follow the procedure listed below.

- Pull the window part way towards the closed position about 20 mm movement of the sash.
- Move the arm of the Autolatch restrictor away from the stud fitted onto the frame.
- Push the window fully open whilst holding the Autolatch restrictor until the arm clears the frame stud.
- When you close your window the Autolatch restrictor automatically re-engages onto the frame stud ready for next time the window is opened.





MACO Laminated
8213 Restrictor

Order Information

| | |
|----------------|-----------------------------------|
| 95032 U | Maco laminated 8213 restrictor Lh |
| 95033 U | Maco laminated 8213 restrictor Rh |
| 95004U | 9.5 mm high frame stud |
| 95007U | 10.5 mm high frame stud |
| 95005U | 11.5 mm high frame stud |
| 95006U | 14.5 mm high frame stud |
| 95008U | 16.5 mm high frame stud |

Material Specification

| | |
|--------------------------------------|--|
| Restrictor arm, base and stud plate. | Flat strip ferritic stainless steel type 430 S172B to BS 1449 Pt 21983 |
| Stud and stop. | Stainless steel type 303S31 to BS 970 |
| Springs. | Stainless steel type 302S26 to BS 2056 |

Laminated 8213 Restrictor

Fitting Instructions

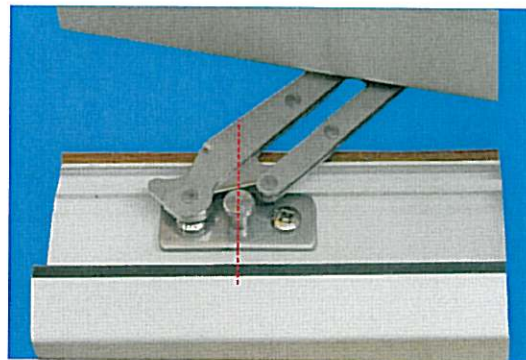


The Maco Laminated 8213 Restrictor has been designed to comply with the planned alterations to BS8213, the requirements are that where deemed necessary (i.e., bedrooms with small children/babies) a restrictor must be fitted that is released by a coordinated two handed operation. No keys or tools should be required to release the restrictor.

Please follow these guidelines for the correct installation of the Maco laminated 8213 restrictor.

It is important that in order for the 8213 restrictor to function correctly that it is fitted onto the sash.

- Locate and fix the restrictor onto the sash.
It is normal to fit the restrictor in the same position as the friction stay hinges.
- Position and fix the frame stud onto the outer frame, so that when the window is closed the centre of the release mechanism on the restrictor arm is central with the stud.
- Please note that all screw fixings must be stainless steel.



Laminated 8213 Restrictor Operating Instructions

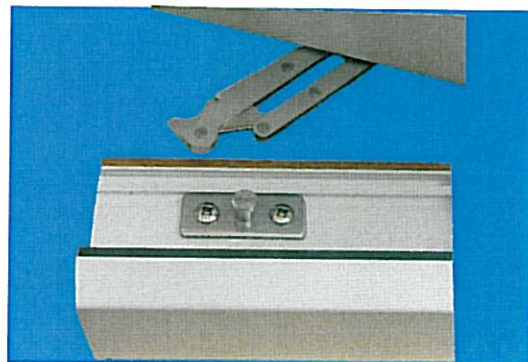


Your windows have been fitted with a Maco Laminated 8213 restricting device.

It is important that you read these instructions and familiarize yourself with the operation of the restrictor

When you open your window the laminated 8213 restrictor is automatically engaged and restricts how far the window will open. To release the restrictor please follow the procedure listed below.

- Pull the window part way towards the closed position about 20 mm movement of the sash.
- Release and hold open the end piece on the restrictor arm.
- Push the window fully open whilst holding the end piece open until the arm clears the frame stud.
- When you close your window the restrictor automatically re-engages onto the frame stud ready for the next time the window is opened.





Z

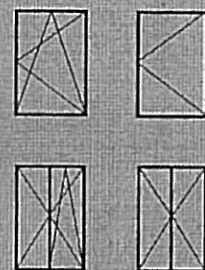
Page 3

ACCESSORIES

MACO MULTI 2000
WINDOW FITTINGS

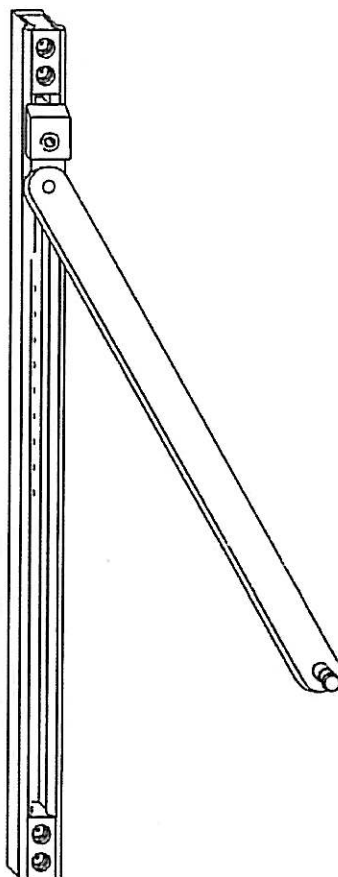


Date: 15.1.1997

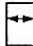



TURN RESTRICTOR WITH FRICTON

The maximum sash weight, as well as the necessary means of attachment can be taken from the "Performance Regulations" and the "Statistical Test for the Attachment of Fittings" which are at the front of the catalogue in the Product Information section.

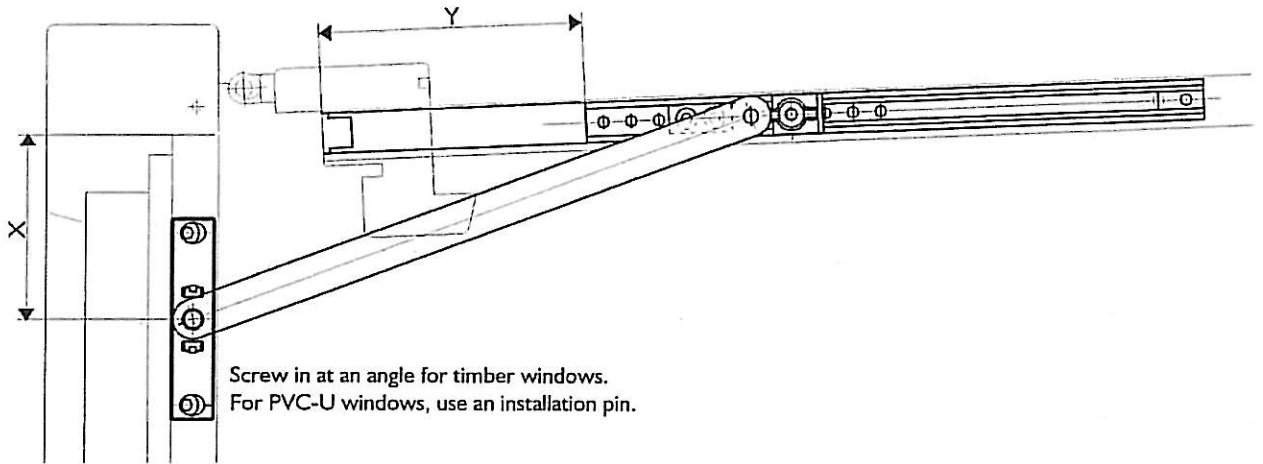


The turn restrictor is NOT suitable for a timber drill only hinge.

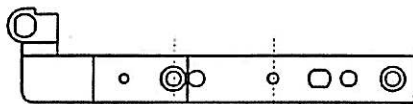
| Nº | |  |  4x40 |
|-------|--|---|--|
| 21655 | 244 mm long with short Restrictor Arm without Strike | ab 280 | 4 |
| 21657 | 244 mm long with long Restrictor Arm without Strike | ab 360 | 4 |
| 21656 | 333 mm long with long Restrictor Arm without Strike | ab 450 | 4 |
| 21609 | Striker Plate for 4mm Airgap | | 2 |
| 21597 | Striker Plate for 12mm Airgap | | 2 |
| 40349 | Eurogroove Spacer Bar | | |
| 13052 | Striker Plate Packaging for PVC-U Turn Restrictor | | 2 |

Technology In Motion

TURN RESTRICTOR WITH FRICTON




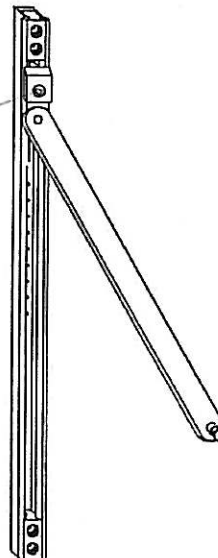
| Turn Restrictor | Y | X 4 mm Airgap | X 12 mm Airgap |
|-------------------|--------|------------------|-------------------|
| 244 mm Long Arm | 105 mm | - | 73 mm |
| 244 mm Short Arm* | 20 mm | 88 mm | 96 mm |
| 333 mm Long Arm | 105 mm | 146 mm | 154 mm |



Notch Mark

*Lengthen at notch marks, bolt open restrictor on bottom corner hinge and screw in together with the first screw.

Fricton Screw
 4 mm



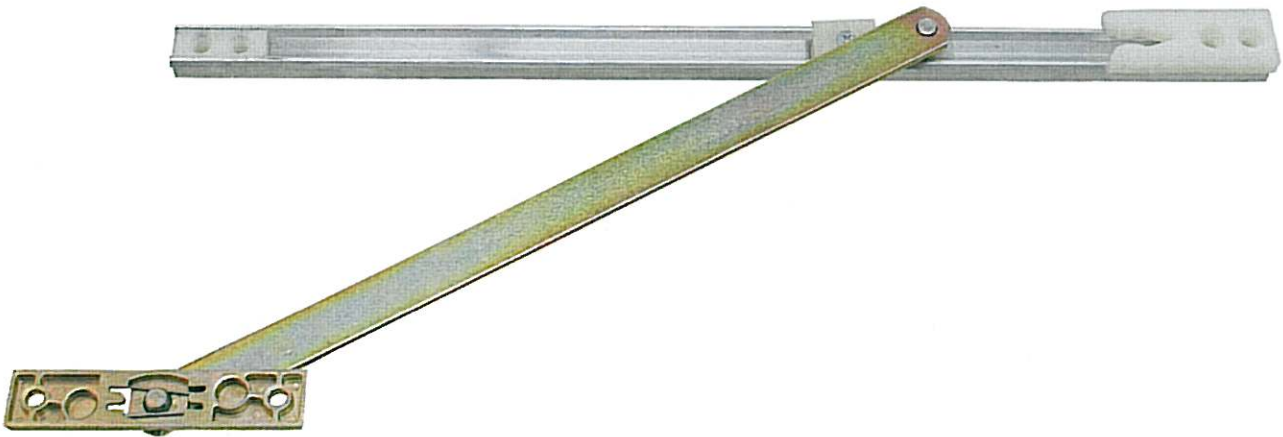
Correct Installation of the Break:

The opened sash must have momentum before the assembly comes to a standstill. Installed breaks which are too weak or too strong lead to damage of the sash, frame and corner hinges.

MACO (U.K.)

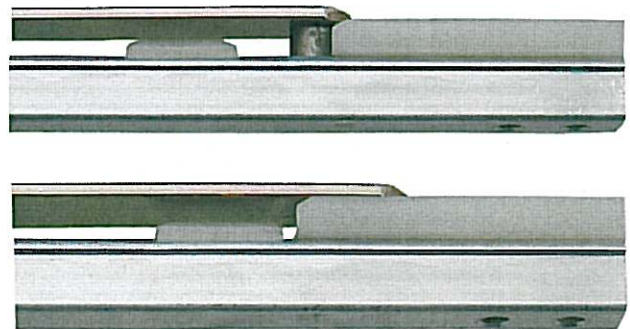
This brochure is our property. We reserve the right to make changes without prior notice.

Tech 100 Restrictor Stay



MACO TECH 100 - *Restrictor Stay*

- 90 Degree break stay and restrictor for doors
- Unique end snapper helps hold the door open
- Available with a yellow chromate or stainless steel arm
- Suitable for PVCu, aluminium and timber doors
- Adjustable friction device
- Suits all eurogrooved profile systems
- Fast and simple to fit
- Non handed
- Multiple screw ports
- Universal striker plate

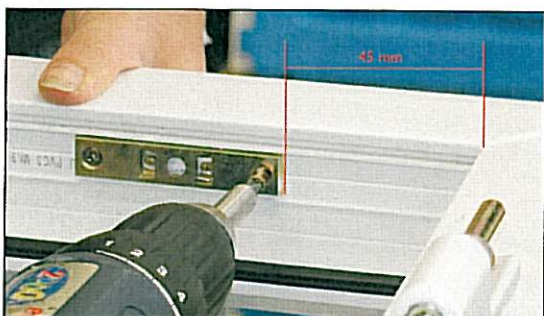




Fitting Instructions



1. Position the *Tech 100 Stay* onto the head of the door sash 105 mm from the sash rebate corner on the hinge side.



2. Position the striker plate behind the bead groove on the outer frame 45 mm from the corner and screw into position.



3. After hanging the sash, clip the arm of the *Tech 100 Stay* into the striker plate.

Note: Should additional friction be required simply tighten the hexagonal screw within the *Tech 100 Stay*.

MACO *Tech 100 Stay*

90 Degree break stay and restrictor for doors

Order information:

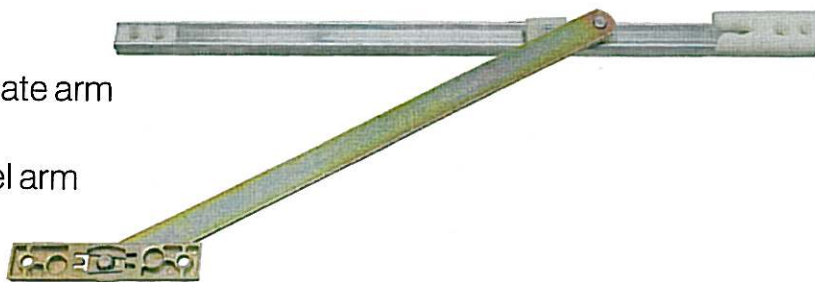
Tech 100 Stay with yellow chromate arm

Part no. 95100U

Tech 100 Stay with stainless steel arm

Part no. 95430U

Note: Striker plate included



www.macouk.net

Date - September 2005

MACO DOOR & WINDOW HARDWARE (U.K.) LTD. Eurolink Industrial Centre, Castle Road, Sittingbourne Kent, ME10 3LY.
Tel.: 01795 433900, Fax.: 01795 433901, e-mail: maco@macouk.net,

MULTI-VENT RESTRICTOR



A

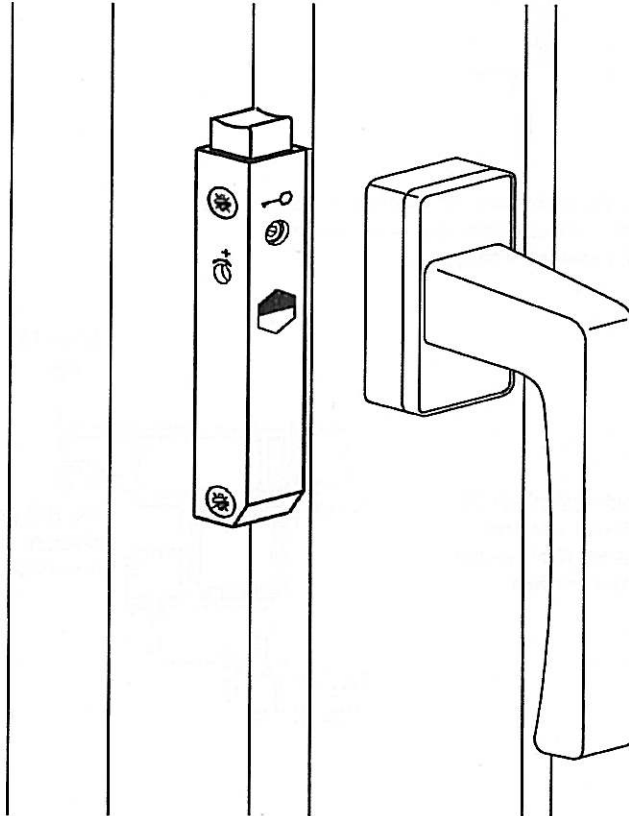
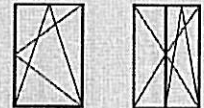
Page 1

RESTRICTORS

**MACO
WINDOW
ACCESSORIES**



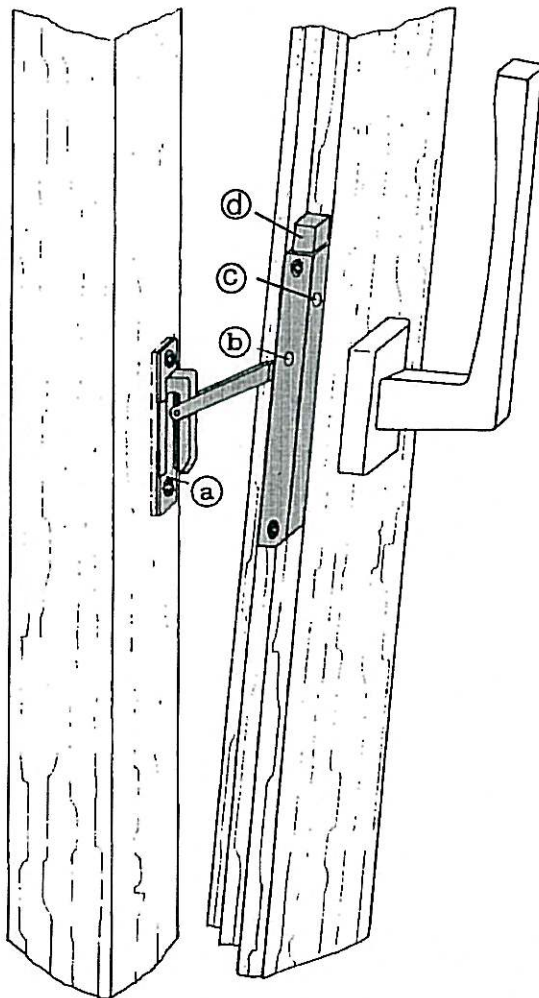
Date.: 15.1.1997



| N ^o | | | 4x40 |
|----------------|-----------------------|-------|------|
| 12360 | Multi-vent restrictor | white | 4 |
| 12361 | Multi-vent restrictor | brown | 4 |
| 42509 | 5° Angled spacer bar | white | |
| 42502 | 5° Angled spacer bar | brown | |
| 42514 | 15° Angled spacer bar | white | |
| 42513 | 15° Angled spacer bar | brown | |

**TECHNOLOGY
IN MOTION**

OPERATING INSTRUCTIONS



To open the window

- 1) With the handle in the required position insert the allen key into C and turn anticlockwise to unlock.
- 2) Depress and hold down button D.
- 3) Open the window.

When the window is closed the restrictor automatically engages onto hook A. To open the window again depress and hold down button D.

To lock the restrictor insert the allen key into C and turn clockwise.

To alter the amount of tension on the restrictor arm insert the allen key into position B and rotate.

NEVER ATTEMPT TO TURN OR TILT THE WINDOW FULLY WITHOUT UNLOCKING THE RESTRICTOR AND DEPRESSING BUTTON D. AS THIS CAN CAUSE DAMAGE TO HOOK A.

MACO U.K.

MACO DOOR & WINDOW
HARDWARE (U.K.) LTD
ARNOLDE CLOSE
MEDWAY CITY ESTATE
ROCHESTER, KENT
ME2 4QW
TEL: 01634 294555
FAX: 01634 294345

INFORMATION



SPECIFICATION OF MATERIALS MULTI-VENT TILT RESTRICTOR

Lock case, operating button, locking pin and the locating hook:-

Zinc die cast from Zamac Z410 complying with DIN 1743.

Material specification number 2141.

Locating arm:-

Cold rolled mild steel conforming to DIN 1624.

Material specification numbers 1,0030 and 1,0333.

To comply with dimensional standard DIN 1544.

Paint finishes:-

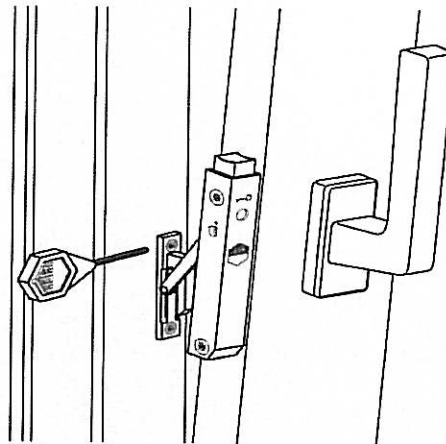
White RAL 9010

Brown RAL 8019

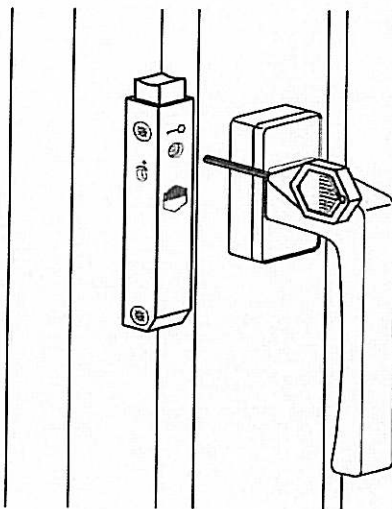
Black RAL 9004

Manufactured by Mayer & Co. in Salzburg Austria under DIN ISO 9001 (EN 29001).

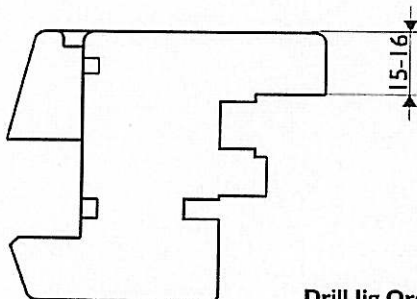
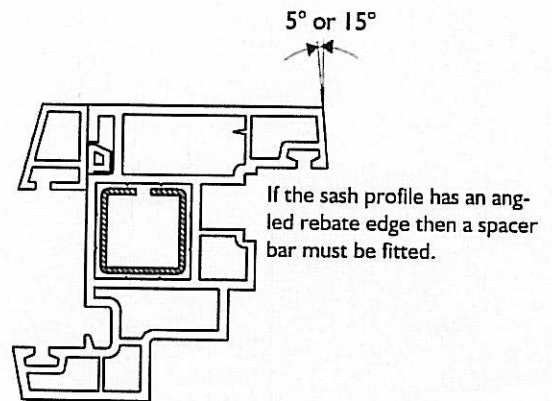
MULTI-VENT RESTRICTOR



To adjust the friction use the allen key on the side of the multi-vent restrictor to increase or reduce the amount of friction.



To lock and unlock the multi-vent restrictor insert the allen key into the face and turn.



Spacer Bar for multi-vent Hook:

| Rebate thickness | |
|------------------|---|
| Under 16 mm | No spacer bar required |
| 16 - 18 mm | 1 spacer bar required (included with multi-vent) |
| 18 - 20 mm | 2 spacer bar required (order no 42510; white 42499 brown) |

Drill Jig Order No.: 42505

- 1; Locate the jig in the required position and drill the two holes into the rebate edge.
- 2; Move the jig downwards, locating the two projecting pins into the holes just made.
- 3; Close the sash and drill the holes for the multi-vent hook.

Stick on Jig Order No.: 49320

- 1; Stick the jig in the required position and drill all holes.

All holes are drilled using a 3 mm Ø bit.

MACO DOOR & WINDOW HARDWARE (U.K.) LTD.

Arnolde Close, Medway City Estate, Rochester, Kent ME2 4QW
 TEL: 01634 294555 FAX: 01634 294345

This brochure is the property of Maco. We reserve the right to make alterations without prior notice.