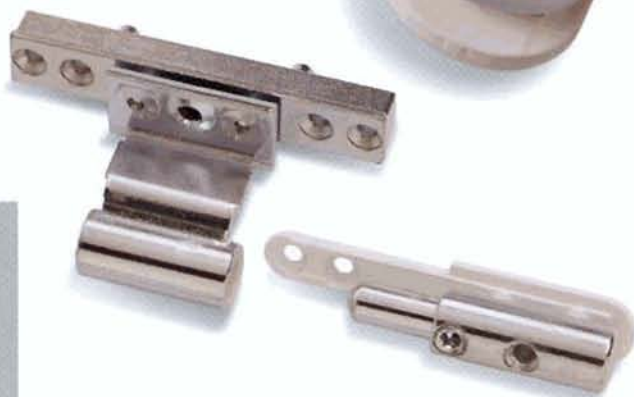
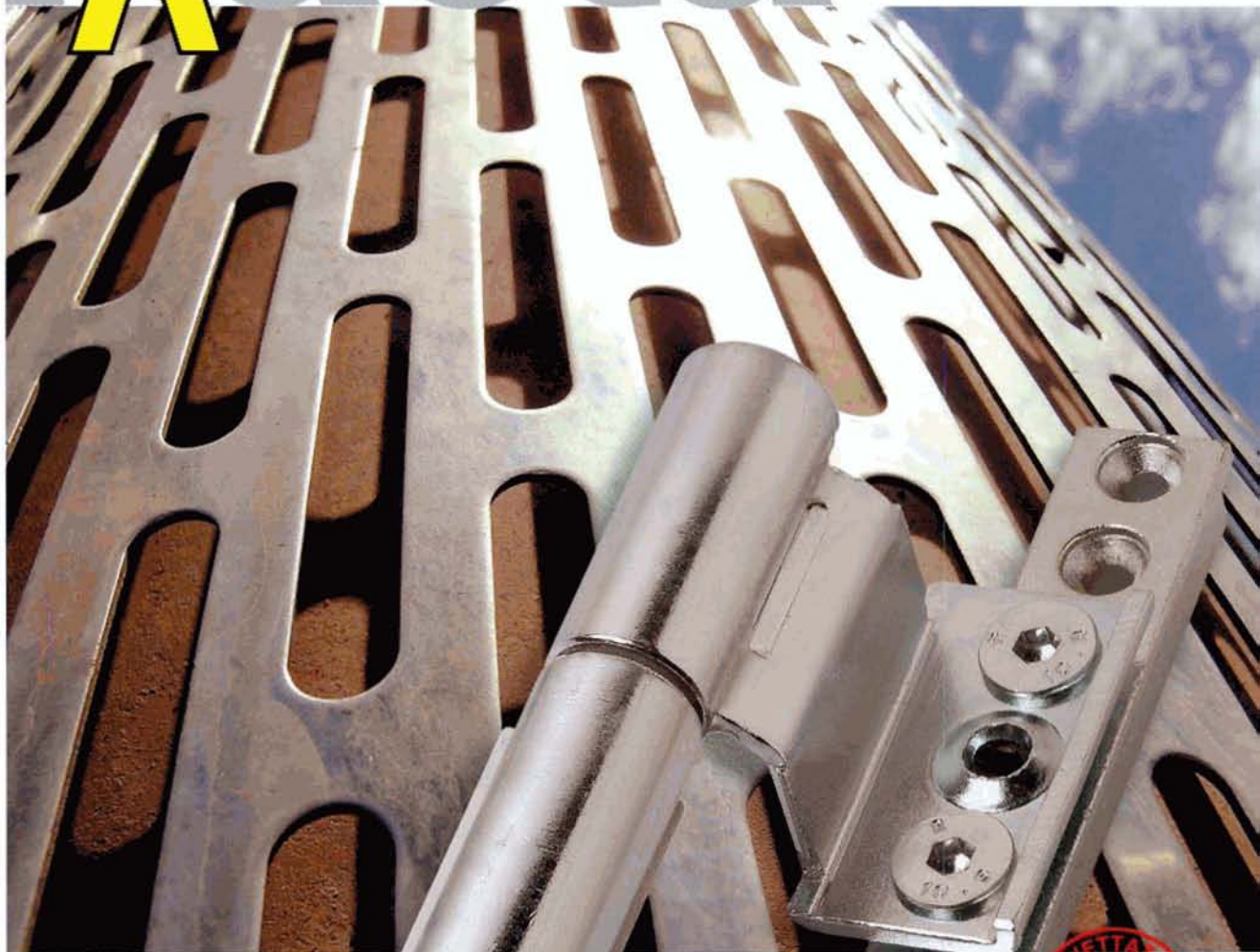


# biVacta



- **Design**
- **Adjustability**
- **Capacity**

# 482 Bixacta

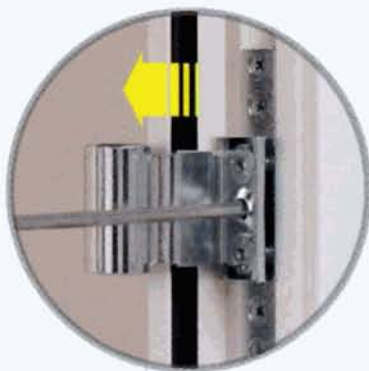
## Not only PVC

### Hidden technology

**Bixacta** stems from the need for an **adjustable hinge for PVC doors** that also considers the impact on the **door's appearance**.

OTLAV's Research and Development department have created this new product with the following precise objective: to create a hinge that is **easy to adjust**, thanks to the specific peculiarities deriving from **years of experience with the Exacta range**, but with a very sober design.

**Also available for application to wooden doors.**



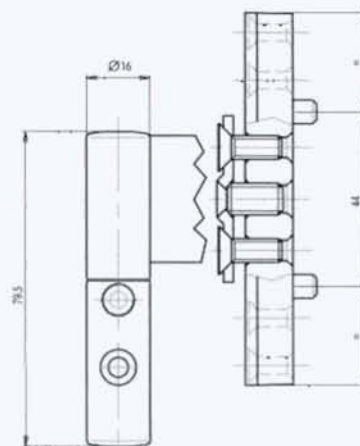
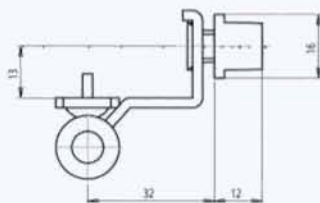
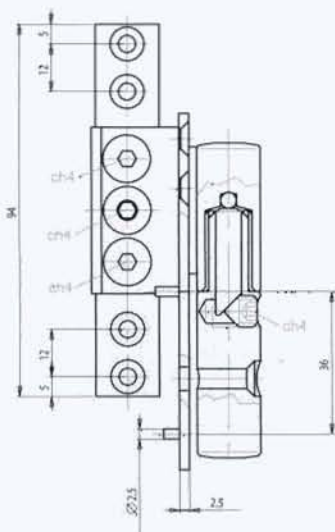
A very simple operation allows precise vertical adjustment of the frame, with the door mounted.

The door can also be adjusted sideways with the same simplicity.

Bixacta 482 model



**bixacta**



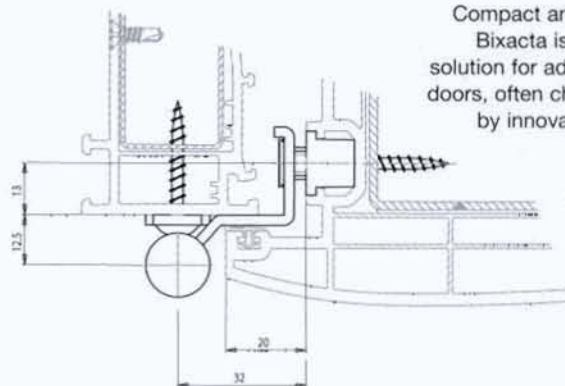
# 482 Bixacta

## Above all, easy

### To be precise: money saving

Seeing a Bixacta hinge installed is without a doubt a pleasure for its clean design that has no rivals on the market. Installing an OTLAV hinge **guarantees lasting reliability**, thanks to extensive experience in the design and manufacture of adjustable hinges.

Bixacta hinges are so **easy and quick to set up** that installation times are noticeably reduced, allowing you to **limit the costs**.



Compact and essential, Bixacta is the perfect solution for adjusting PVC doors, often characterised by innovative design.



Bixacta 481 model

### Bixacta: already a range

Just created, Bixacta is available in two versions, both revolutionary in terms of the minimalist design proposed.

The model 482 allows both vertical and side-ways adjustment of the door, whilst the model 481 allows vertical adjustment.

# biXacta

# Caps



## A complete made-to-measure range

The care awarded to the design and creation of an enviable range of caps to cover the Bixacta hinges is one of OTLAV's strong points, as always aware of the requests and incentives encountered from the architectural field. The caps are available in various styles, finishes and types of material: from ABS, aluminium to solid brass.

bixacta



Via Volta, 26 / P.O. Box 64  
31025 S. Lucia di Piave (TV) - Italy  
Tel. +39 0438 460 777 r.a.  
Fax +39 0438 468 000  
[www.otlav.com](http://www.otlav.com) - [sales@otlav.it](mailto:sales@otlav.it)

Modification reserved