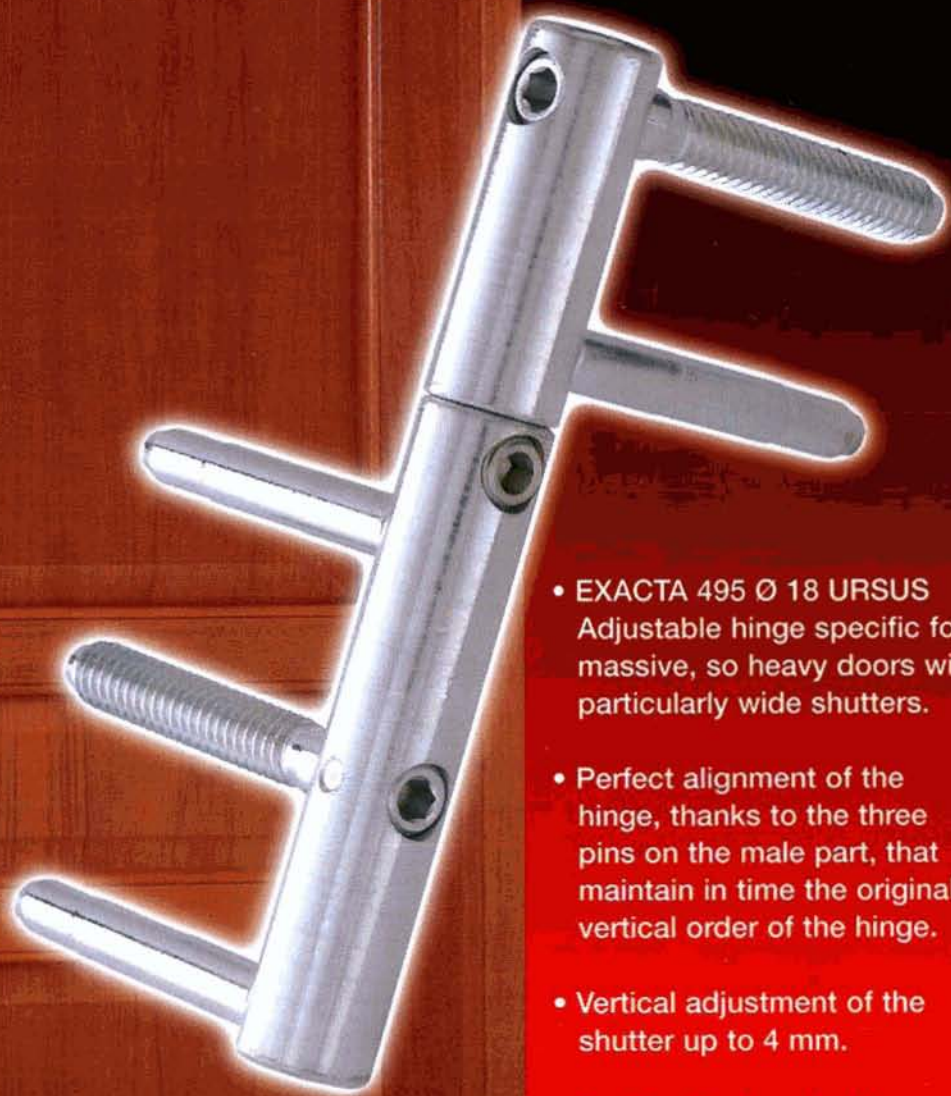


EXACTA[®]

URSUS



- EXACTA 495 Ø 18 URSUS
Adjustable hinge specific for massive, so heavy doors with particularly wide shutters.
- Perfect alignment of the hinge, thanks to the three pins on the male part, that maintain in time the original vertical order of the hinge.
- Vertical adjustment of the shutter up to 4 mm.
- Depth adjustment of the shutter as to the frame.
- Side adjustment of the shutter as to the frame.



TEST

Suggested load capacity for male part with 3 pins



fig. 1

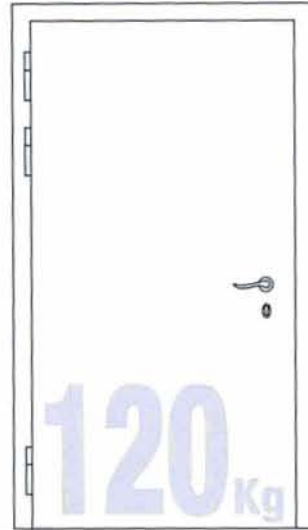


fig. 2

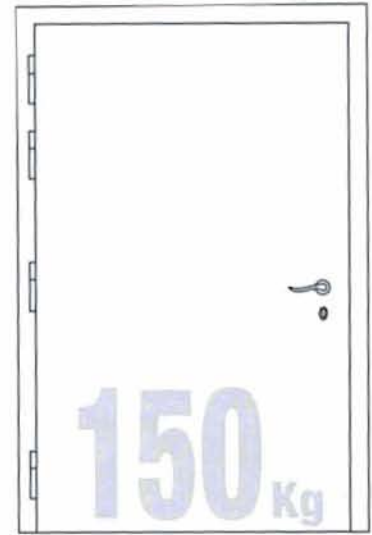


fig. 3

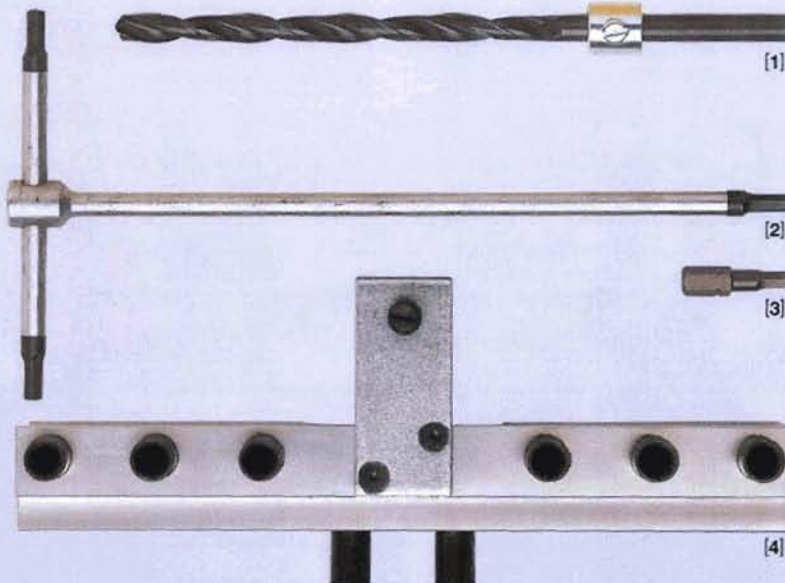
- 2000x1000 mm ➤ 2500x800 mm
- Max. load capacity ➤ 90 Kg
- Hinges ➤ 2

- 2500x800 mm ➤ 2500x1000 mm
- Max. load capacity ➤ 120 Kg
- Hinges ➤ 3

- 2500x1000 mm ➤ 2500x1200 mm
- Max. load capacity ➤ 150 Kg
- Hinges ➤ 4

Mount 2 hinges in the upper part of the door (Fig. 2 and 3). In case of soft wood, chipboard or MDF it is advisable to reduce the weight of about 20%, or, in the case of fig.1, it would be wise to fix a third hinge above. Where wide and heavy glasses are used, it would be good that the two parts, wood- glass are perfectly integral among themselves, in order to

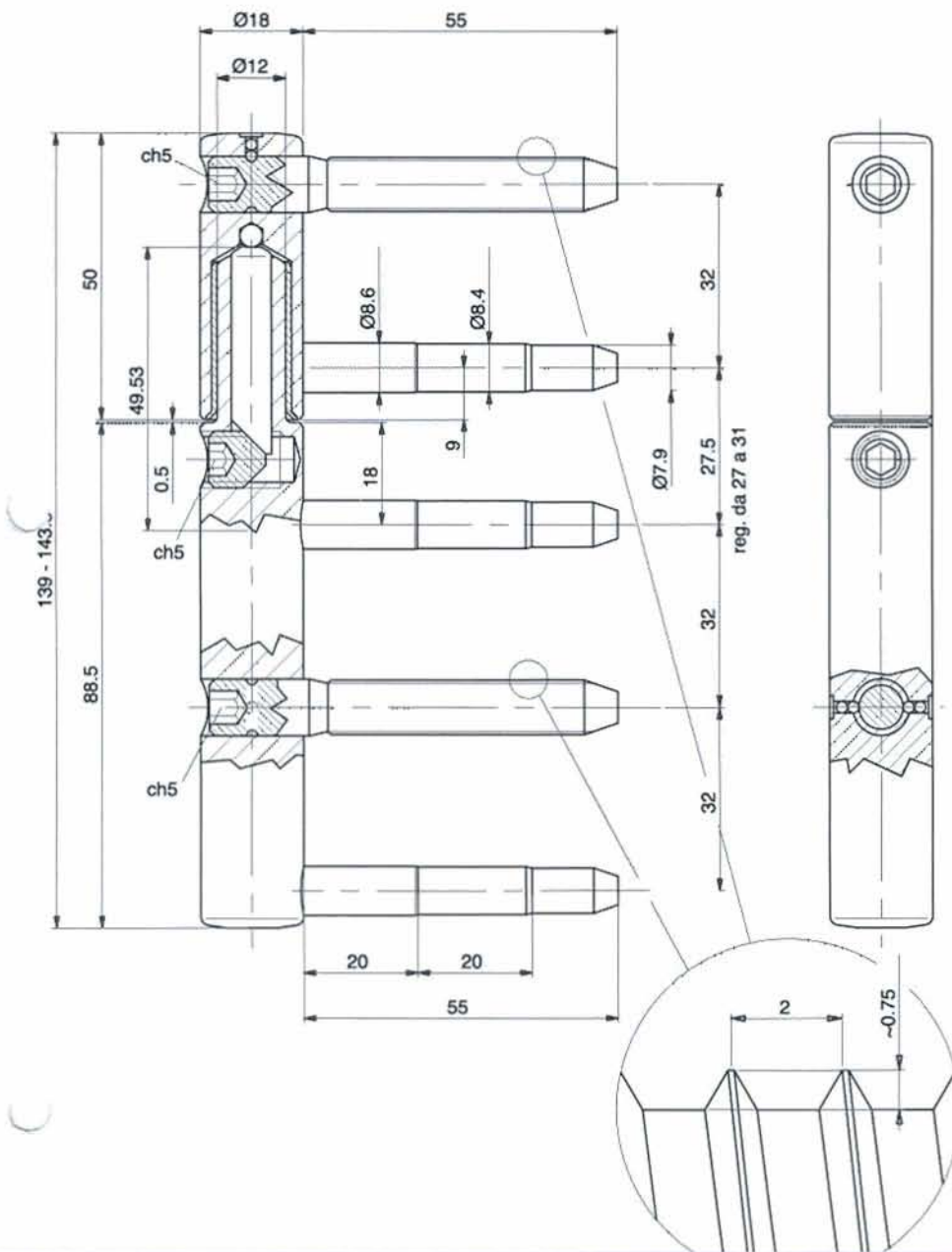
avoid anomalous diagonal deformations of over 4/ 5 mm on the handle side, deformations that could not be solved by the adjustable hinge. Adjust the hinges in the height, so that the forces can be equally distributed. Further prescriptions are subject to the examination of suitable tests.



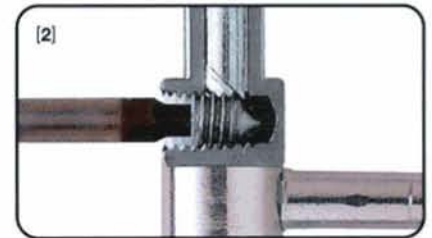
For mounting and adjusting the Exacta hinge 495 ø 18 relevant tools are available. The standard box contains 2 individual jigs for making holes in the frames and the doors, a drill bit for hard/ normal woods, the bit for electrical drill screwers for fitting to the door-frame and a handy hexagonal "T" wrench for the final adjusting.

1. Step down drill-bit with drill-bit stop.
2. Set screw "T" wrench for adjusting.
3. Hexagonal drill screwer
4. Mounting jig for Exacta

495 Ø18 3 PINS



1/2. By acting on the threaded pin it is possible to quickly fit the female part to the door using the appropriate hexagonal bit for electrical drill screwers and then make the side precision adjustment using the special "T" wrench. The wide self threading pitch means that assembling time is greatly reduced, as well as obtaining an excellent grip on all types of wood.



3. By using the "T" wrench it is possible to adjust the height of the pivot, therefore raising the female part. The weight of the door is evenly distributed over all the door-frame hinges thanks to the great sensitivity of the height adjusting device.



OTLAV® CAPS FIT AESTHETICALLY WITH EVERY KIND OF HANDLES.





CI 495 180 H5 02



MA 701 180 G0 08



GC 838 200 T102



GC 838 200 T104



GC 838 200 L102



GC 838 200 L104



GC 838 200 P302



GC 838 200 P304

Via Volta, 26 / P.O. Box 64
31025 S. Lucia di Piave (TV) - Italy
tel +39 0438 460 777 r.a.
fax +39 0438 468 000
www.otlav.com - sales@otlav.it

