

USE FILE  
LP 14 488 01 USE

### 488 Ø 16 SELF-CLOSING

Brev OTLAV® TV2000A000033

Dossier  
UT MN IM 01

Hinge Code  
LP 14 488 01 TEC

Certificate  
GS 01 488 01 TES

Product Code  
CI 488 160 H1 02

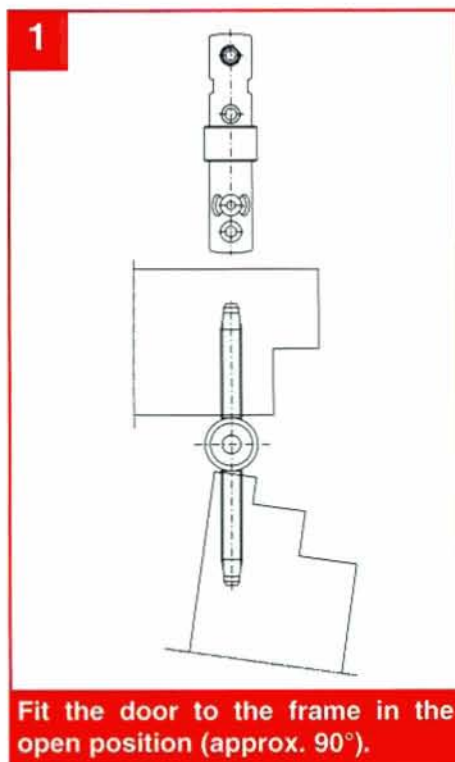
Santa Lucia di Piave  
20/10/99

Technical Manager

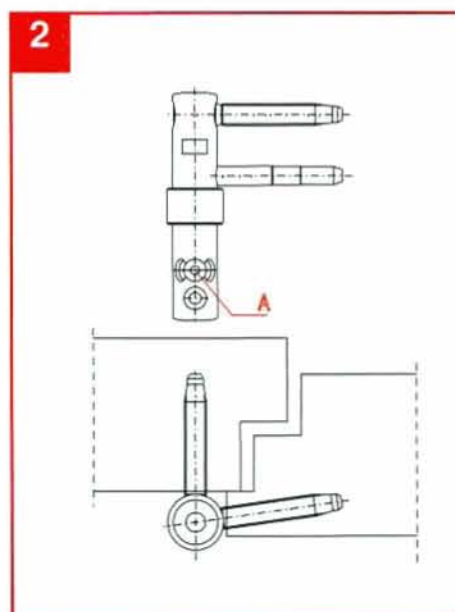
Fabio Padovan  
Sole Administrator



OTLAV S.p.A.  
via Volta 26  
31025 S. Lucia di Piave (TV)  
ITALY  
tel +39 0438 460 777  
fax +39 0438 468 000  
web: www.otlav.com  
email: info@otlav.it



Fit the door to the frame in the open position (approx. 90°).

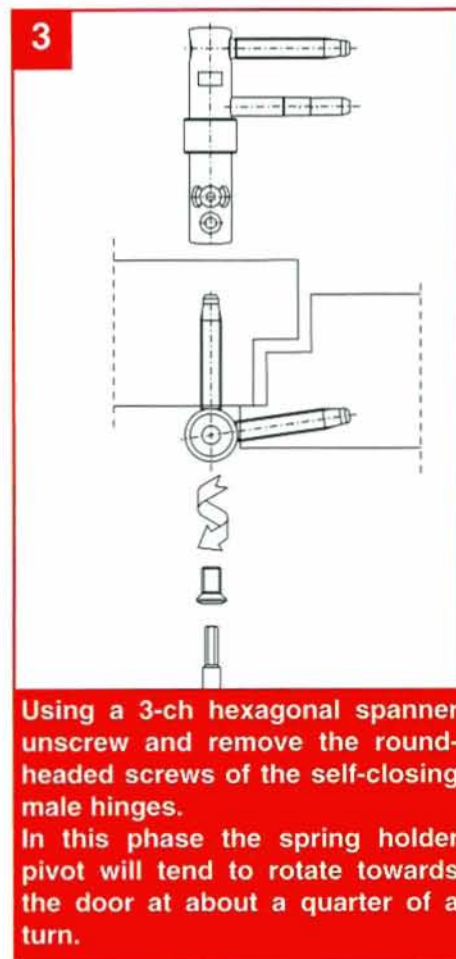


Close the door.  
In this position the round-headed screws A, which must later be removed, are at the front, that is they are positioned in the middle hole of the self-closing male hinges.

#### FITTING DIAGRAM:

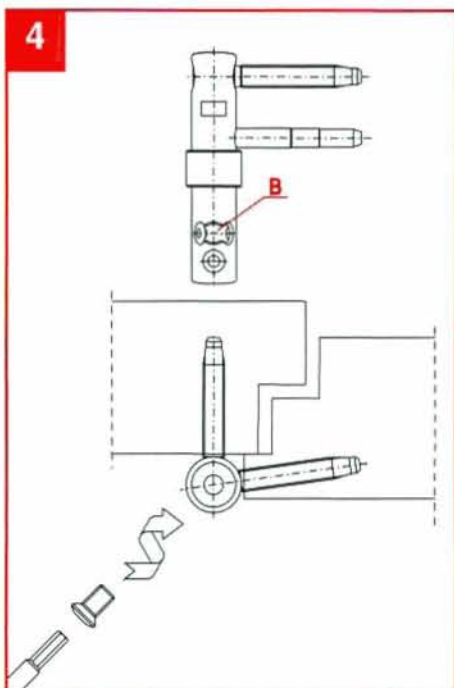
Drill the holes in door and frame using the appropriate jig and proceed with the fitting and adjustment of the hinges.

It is advisable to pay the utmost attention when adjusting the hinges, so as to ensure that they are perfectly aligned.

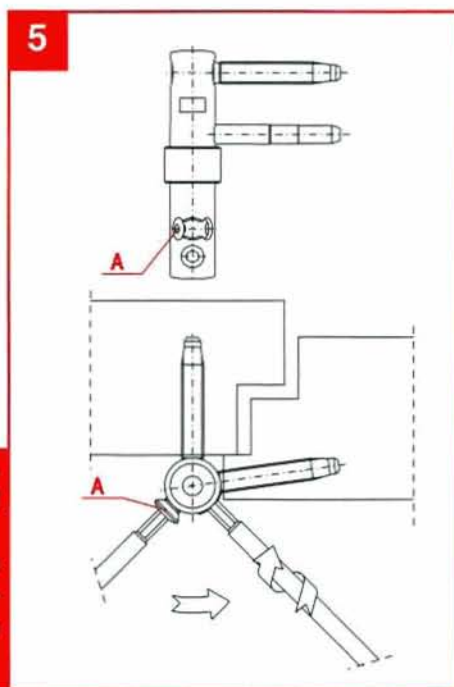


Using a 3-ch hexagonal spanner unscrew and remove the round-headed screws of the self-closing male hinges.

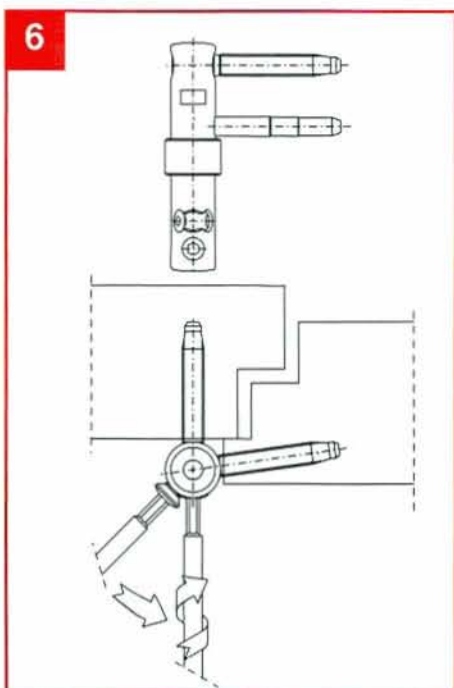
In this phase the spring holder pivot will tend to rotate towards the door at about a quarter of a turn.



With the door closed, using a 3-ch hexagonal spanner tighten the round-headed screws, previously removed, into the holes on the spring holder pivots B on the self-closing hinges that are the furthest away from the door.



Move the screws A towards the door and tighten well. With this operation the springs in the self-closing hinges are correctly loaded.



By suitable adjusting one or both of the self-closing hinges, it is possible to graduate the closing force. To obtain this just screw the round-headed screws into the intermediate hole that can be seen from the front instead of into the hole of the male close to the door.